

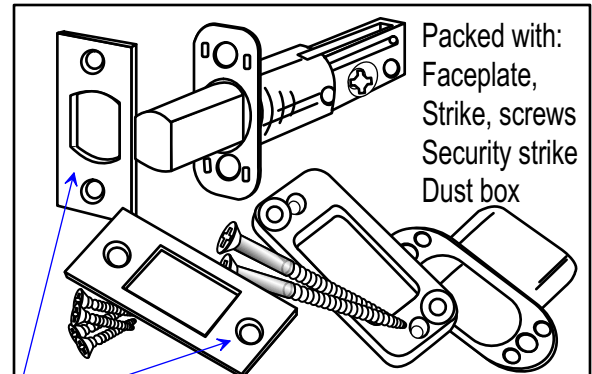
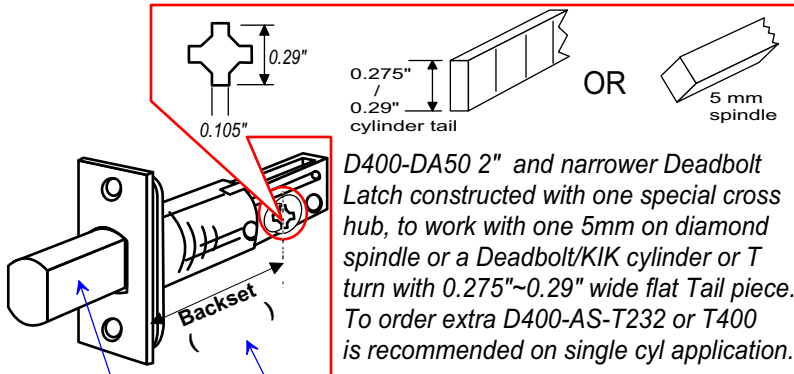
Baton Security Products, Inc

11521 Salinaz Avenue,
Garden Grove, California 92843, USA
Tel:(714) 590 6969 Fax:(714) 590 6960
Email address : Sales@batonlockusa.com

baton[®]
Security Products
www.batonlockusa.com

Form QF-D400-DX2	<input type="checkbox"/> Quotation Ref# <input type="checkbox"/> Order PO#	Custom Deadbolt Latch	Narrow backset
-------------------------	---	------------------------------	-----------------------

Note this form is for narrow backset below 2-3/8" (60mm). Backset longer than 2-3/8" use Form QF-D400-DX1.



#	Latch function	Finish Latch Bolt	Backset	Finish Face plate/Strike	Quantity	Price / net per each	Amount
1	D400-DX00 _ Custom Deadbolt Latch	<input type="checkbox"/> B Brass <input type="checkbox"/> N Satinh nickel					
2	D400-DX00 _ Custom Deadbolt Latch	<input type="checkbox"/> B Brass <input type="checkbox"/> N Satinh nickel					
3	D400-DX00 _ Custom Deadbolt Latch	<input type="checkbox"/> B Brass <input type="checkbox"/> N Satinh nickel					
4	D400-DX00 _ Custom Deadbolt Latch	<input type="checkbox"/> B Brass <input type="checkbox"/> N Satinh nickel					
5							
6							

Contact info: _____

Company _____

Addr: _____

City _____ St _____ zip _____

Tel: _____ - _____ Fax: _____ - _____

Email: _____

Custom made products are constructed with the specifications requested. Baton warrants that the product will be functioning according to all the specifications and operating parameters of our original product line. No guarantee exists on product functions within specifications of others' make. **** **Deposit required for custom made items, no-return and no-refund ******.

Lead time : _____ working days